



CXVE Evaporative Condensers

RIGGING AND INSTALLATION INSTRUCTIONS





About rigging and installation

The BAC equipment should be rigged and installed as outlined in this bulletin.

These procedures should be thoroughly reviewed prior to the rigging and operation to acquaint all personnel with the procedures to be followed and to assure that all necessary equipment will be available at the job site. Be sure to have a copy of the unit certified drawing available for reference. If you do not have a copy of this drawing or if you need additional information about this unit, contact the local BAC representative. His name and phone number can be found on the www.BaltimoreAircoil.com. The model type and serial number of your equipment are indicated on the unit nameplate.

Recommended maintenance and monitoring programme

Checks and adjustments	Start-Up	Weekly	Monthly	Quarterly	Every 6 months	Annually	Shutdown
Cold water basin and basin strainers	X			X			
Operating level and make-up	X		X				
Blow down	X		X				
Sump heater package	X				X		
Belt tension	X		X				
Drive alignment	X					X	
Drive system	X				X		
Locking collar	X						
Rotation of fan(s) and pump (s)	X						
Motor voltage and current	X			X			
Unusual noise and/or vibration	X		X				

Inspections and monitoring	Start-Up	Weekly	Monthly	Quarterly	Every 6 months	Annually	Shutdown
General condition	X		X				
Heat transfer section and drift eliminators	X				X		
Combined inlet shields	X			X			
Water distribution	X				X		
Fan shaft & Axial fan	X			X			
Fan motor	X			X			
Spray water pump	X			X			
Electric water level control package (option)	X				X		
Level or alarm switches				X			
TAB test (dip slides)	X	X					
Circulating water quality	X		X				
System overview	X					X	
Record keeping	as per event						

Lubrication	Start-Up	Weekly	Monthly	Quarterly	Every 6 months	Annually	Shutdown
Fan shaft bearings	X			X			X
Motor bearings*	X				X		
Adjustable motor base	X				X		X
Hinges & access doors bolts						X	

* only for motors with grease fittings with typical frame size > 200L (>30 kW)

Cleaning procedures	Start-Up	Weekly	Monthly	Quarterly	Every 6 months	Annually	Shutdown
Mechanical cleaning	X					X	X
Disinfection**	(X)					(X)	(X)
Drain basin and pump							X

** depends on applied code of practice

Notes

1. Water treatment and auxiliary equipment integrated in the cooling system may require additions to the table above. Contact suppliers for recommended actions and their required frequency.
2. Recommended service intervals are for typical installations. Different environmental conditions may dictate more frequent servicing.
3. When operating in ambient temperatures below freezing, the unit should be inspected more frequently (see Cold weather operations in the appropriate Operating and Maintenance Instructions).
4. For units with belt drive, tension on new belts must be readjusted after the first 24 hours of operation and monthly thereafter.



Table of contents

RIGGING AND INSTALLATION INSTRUCTIONS

1	General information	5
	About engineering and application practices	5
	Shipping	5
	Inspection before rigging	5
	Unit weights	7
	Anchoring	7
	Leveling	7
	Electrical connections	7
	Connecting pipework	8
	Coil connections	8
	Purge requirements	9
	Freeze protection	9
	Bleed Line Installation	9
	Safety Precautions	9
	Non-walking surfaces	11
	Modifications by others	11
	Warranty	11
2	Rigging	12
	General Notes	12
	Rigging information	13
	Rigging method for lower section	14
	Rigging method for upper section	14
3	Section Assembly	16
	Method for two-piece cells	16
	Shipped loose fan cowl (if applicable)	20
4	Optional Accessories Assembly	21
	General	21
	Clean out port	22
	Pump shipped loose	22
5	Inspection prior to start-up	25
	General	25
6	Further Assistance & Information	26
	The service expert for BAC equipment	26
	More information	26



CXVE GENERAL INFORMATION

About engineering and application practices

This bulletin only refers to the assembly of the unit. To ensure a proper operation, a correct integration of the unit in the overall installation is mandatory. For good engineering and application practices on layout, levelling, connecting pipework, etc., please refer to our website:
<http://www.baltimoreaircoil.eu/knowledge-center/application-information>.

Shipping

BAC cooling equipment is factory assembled to assure uniform quality and minimum field assembly. Single air intake models ship in two sections per cell (lower and upper). Dual air intake models ship in four sections per cell (one lower and three upper: each coil section ships separately) to minimize rigging and freight costs.

For the dimensions and weights of a specific unit or section, refer to the certified drawing.



CAUTION

Do not cover units with PVC eliminators or fill with a plastic tarpaulin. Temperature increase due to sun radiation could deform the fill or eliminators.

Inspection before rigging

When the unit is delivered to the job site, it should be checked thoroughly to ensure all required items have been received and are free of any shipping damage prior to signing the bill of lading.

The following parts should be inspected:

- Sheaves and belts
- Bearings
- Bearing supports
- Fan motor(s)
- Fan guards
- Fan(s) and fan shaft(s)
- Wet deck surface with integral drift eliminators
- Coils
- Water distribution system
- Strainers
- Float valve assembly
- Spray pump(s)
- Eliminators



- Combined inlet shields
- Interior / exterior surfaces
- Mating surfaces between sections / modules
- Miscellaneous items

An envelope with check-list is stored in a wooden no nail crate or a plastic container which is placed in the lower section. For safety reasons, access doors / panels may be sealed with bolts. The following table specifies which wrench is required to open them.

Wrench to open access door
24 mm

Required wrenches to open access door

The wooden no nail crate / plastic container also contains miscellaneous parts such as gasket, hardware and accessory items.

At temperatures below -10°C the butyl sealer tape might lose its flexibility. We recommend to store the sealer tape in a heated room before using it during rigging at freezing temperatures.



CAUTION

Be sure to remove all miscellaneous items from the pan before the unit is assembled.

The hardware is packed in a plastic container and located inside the lower section of the unit. For a unit that is equipped with an internal walkway, the plastic container is fixed to the ladder of this platform.



Hardware location for unit with internal platform


If there is no internal walkway, the plastic container is fixed with straps to the overflow.



Hardware location without internal walkway

Unit weights

Before rigging any BAC equipment, the weight of each section should be verified on the unit certified drawing.

 These weights are **approximate** and should be confirmed by weighing **before lifting** when available hoisting capacity provides little margin for safety.



CAUTION

Before an actual lift is undertaken, ensure no water, snow, ice or debris has collected in the sump or elsewhere in or on the unit. Such accumulations will add substantially to the equipment's lifting weight.

In the event of extended lifts or where hazards exist, the lifting devices should be used in conjunction with safety slings placed under the unit.

Anchoring

The unit must be properly anchored in place.

Refer to the suggested support details on the certified drawing for locations of the mounting holes. Anchor bolts must be provided by others.

Holes suitable for 20 mm bolts are provided in the bottom flange of the lower section for bolting the unit to the support beams.

Leveling

The unit must be level for proper operation and ease of piping.

Electrical connections

The units are delivered with a number of electrical components that need to be connected after rigging. For all electrical components, please refer to the specific wiring diagrams in the submittal package.



Connecting pipework

All piping external to BAC cooling equipment must be supported separately.

In case the equipment is installed on vibration rails or springs, the piping must contain compensators to eliminate vibrations carried through the external pipework.

Suction pipe sizing should be done according to good practice, which may for larger flows require larger pipe diameters than the outlet connection. In such cases adapter pieces need to be installed.

Coil connections

Hot dip galvanized and stainless steel coils of BAC condensers are filled with a low pressure inert gas at the factory before shipping, to ensure an optimal internal corrosion protection. It is recommended to check the overpressure every six months (connect a manometer to the valve).

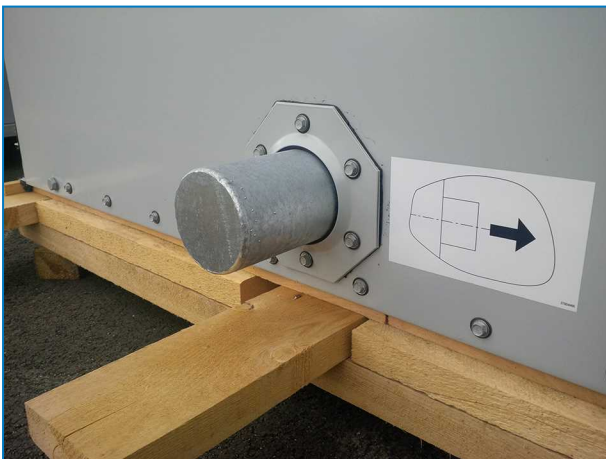
On site, the pressure needs to be released from the coil. Remove the plug first before opening the pressure relieve valve.

In case of threaded connections, clean up the thread prior to connecting it to the pipework.

Non-threaded connections must be bevelled on site before they can be welded.



Upper coil connection with pressure release valve on condensers.



Lower closed-off coil connection on evaporative condensers.



CAUTION

Once the coil is no longer protected by the inert gas, proper actions against corrosion must be taken on site.

Purge requirements

The installer of BAC condensers must ensure proper air purging of the system prior to operation. Entrained air can obstruct free drainage of refrigerant and reduce condensing capacity, resulting in higher operating pressures than designed.

All connections (installed by others) must be leak free and tested accordingly.

To verify absence of non condensables in the refrigeration system, follow the instructions in the BAC Application Handbook – EU Edition (<https://www.baltimoreaircoil.eu/en/downloads/pdf-Application-Handbook-EU-Edition>), Section "Condenser Engineering Guidelines".

Freeze protection

These products must be protected against damage and/or reduced effectiveness due to possible freeze-up by mechanical and operational methods. Please contact your local BAC representative for recommended protection alternatives.

Bleed Line Installation

On units operating with a remote sump tank, install a bleed line with valve between the system circulating pump discharge riser and a convenient drain. Locate the bleed line in a portion of the riser piping that drains when the pump is off.

Evaporative condensers that are furnished with a factory installed circulating pump include a bleed line with valve.

The bleed valve should always be open when the unit is in operation, unless the bleed rate is automatically controlled by a water treatment system.

Safety Precautions

All electrical, mechanical and rotating machinery constitutes a potential hazard, particularly for those not familiar with its design, construction and operation. Accordingly, adequate safeguards (including use of protective enclosures where necessary) should be taken with this equipment both to safeguard the public (including minors) from injury and to prevent damage to the equipment, its associated system and the premises.

If there is doubt about safe and proper rigging, installation, operation or maintenance procedures, contact the equipment manufacturer or his representative for advice.

When working on operating equipment, be aware that some parts may have an elevated temperature. Any operations on elevated level have to be executed with extra care to prevent accidents.



AUTHORIZED PERSONNEL

The operation, maintenance and repair of this equipment should be undertaken only by personnel authorized and qualified to do so. All such personnel should be thoroughly familiar with the equipment, the associated systems and controls and the procedures set forth in this and other relevant manuals. Proper care, personal protective equipment, procedures and tools must be used in handling, lifting, installing, operating, maintaining and repairing this equipment to prevent personal injury and/or property damage. Personnel must use personal protective equipment where necessary (gloves, ear plugs, etc...)

MECHANICAL SAFETY

Mechanical safety of the equipment is in accordance with the requirements of the EU machinery directive. Depending upon site conditions it also may be necessary to install items such as bottom screens, ladders, safety cages, stairways, access platforms, handrails and toe boards for the safety and convenience of the authorized service and maintenance personnel.

At no time this equipment should be operated without all fan screens, access panels and access doors in place/closed and properly secured.

When the equipment is operated with a variable fan speed control device, steps must be taken to avoid operating at or near to the fan's «critical speed».

For more information consult your local BAC representative.

ELECTRICAL SAFETY

All electrical components associated with this equipment should be installed with a lockable disconnect switch located within sight of the equipment.

In the event of multiple components, these can be installed after a single disconnect switch but multiple switches or a combination thereof are also allowed.

No service work should be performed on or near electrical components unless adequate safety measures are taken. These include, but are not limited to the following:

- Isolate the component electrically
- Lock the isolation switch in order to prevent unintentional restart
- Measure that no electrical voltage is present any more
- If parts of the installation remain energized, make sure to properly demarcate these in order to avoid confusion

Fan motor terminals and connections may have residual voltage after unit shut-down. Wait five minutes after disconnecting the voltage at all poles before opening the fan motor terminal box.

LIFTING



CAUTION

Failure to use designated lifting points can result in a dropped load causing severe injury, death and/or property damage. Lifts must be performed by qualified riggers following BAC published Rigging Instructions and generally accepted lifting practices. The use of supplemental safety slings may also be required if the lift circumstances warrant its use, as determined by the rigging contractor.

LOCATION

All cooling equipment should be located as far away as possible from occupied areas, open windows or air intakes to buildings.



CAUTION

Each unit should be located and positioned to prevent the introduction of discharge air into the ventilation systems of the building on which the unit is located or those of adjacent buildings.



For detailed recommendations on BAC equipment layout, please see the BAC Application Handbook EU-Edition, the BAC website: www.baltimoreaircoil.eu or contact your local BAC Representative.

LOCAL REGULATIONS

Installation and operation of cooling equipment may be subject to local regulations, such as establishment of risk analysis. Ensure regulatory requirements are consistently met.

Non-walking surfaces

Access to and maintenance of any component needs to be performed in accordance with all local applicable laws and regulations. If the proper and required access means are not present, temporary structures need to be foreseen. Under no circumstance can one use parts of the unit, that are not designed as an access mean, unless measures can be taken to mitigate any risks that might occur from doing so.

Modifications by others

Whenever modifications or changes are made by others to the BAC equipment without written permission of BAC, the party who has done the modification becomes responsible for all consequences of this change and BAC declines all liability for the product.

Warranty

BAC will guarantee all products to be free from manufactured defects in materials and workmanship for a period of 24 months from the date of shipment. In the event of any such defect, BAC will repair or provide a replacement. For more details, please refer to the Limitation of Warranties applicable to and in effect at the time of the sale/purchase of these products. You can find these terms and conditions on the reverse side of your order acknowledgement form and your invoice.

General Notes

1. Unless unit ships fully assembled, unit must be rigged one section at a time.
2. If the delivery consists of separate sections, do not assemble before lifting, as the lifting devices provided are not designed to support the weight of the entire assembly.
3. Spreader bars of the full width of the section must be used between the lifting cables to prevent damage to the section.
4. For extended lifts or where hazards exist, it is recommended to use the lifting devices in conjunction with safety slings placed under the unit.

When the unit is installed, all metal parts created by drilling, fastening self tapping screws, grinding, welding or other mechanical works must be removed from the unit. If they remain on the unit (typically on the double break flanges) this could lead to corrosion and eventually coating damage. .

5. The proper rigging sequence for units is to lift the lower section into place, apply sealer to the pan where the upper section will be located (See "Section Assembly""Method for two-piece cells" on page 16) and then lift the upper section into place.
6. If the (pump) piping from coil products is split for transport reasons, the piping must be assembled on site by means of a flexible connection (typically a rubber sleeve or coupling).
7. Lifting devices have been provided on all sections. The tables below give the preferred method for rigging each section of a unit.

Rigging information



Unit sections

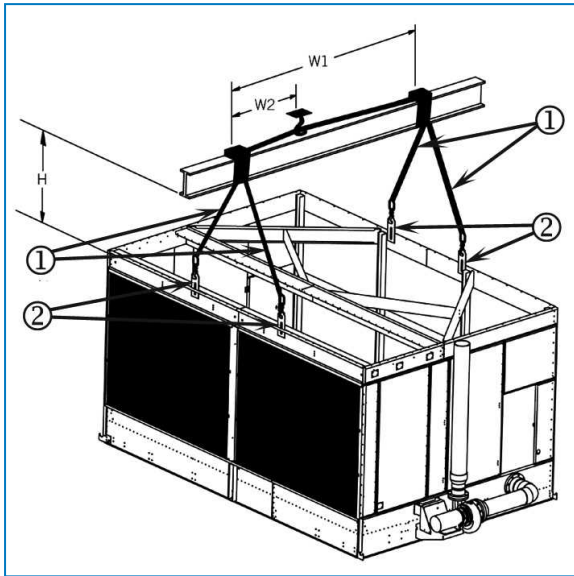
1. Upper section
2. Lower section

Model number	Lower section					Upper section				
	Qty	Rigging method	H (mm)	W1 (mm)	W2 (mm)	Qty	Rigging method	H (mm)	W1 (mm)	W2 (mm)
CXVE-xxx-0806-xxx	1	A	1100	2600	1200	1	B	1000	2600	1000
CXVE-xxx-0809-xxx	1	A	1400	2600	1200	1	B	1000	2600	1000
CXVE-xxx-0812-xxx	1	A	1400	2600	1200	1	B	1600	2600	1000
CXVE-xxx-0818-xxx	1	A	1600	2600	1200	1	B	2500	2600	1000
CXVE-xxx-1012-xxx	1	A	1400	3000	1400	1	B	1600	3000	1300
CXVE-xxx-1018-xxx	1	A	1600	3000	1400	1	B	2500	3000	1200
CXVE-xxx-1212-xxx	1	A	1400	3600	1600	1	B	1600	3600	1400
CXVE-xxx-1218-xxx	1	A	1600	3600	1600	1	B	2500	3600	1400

Rigging method

Rigging method for lower section

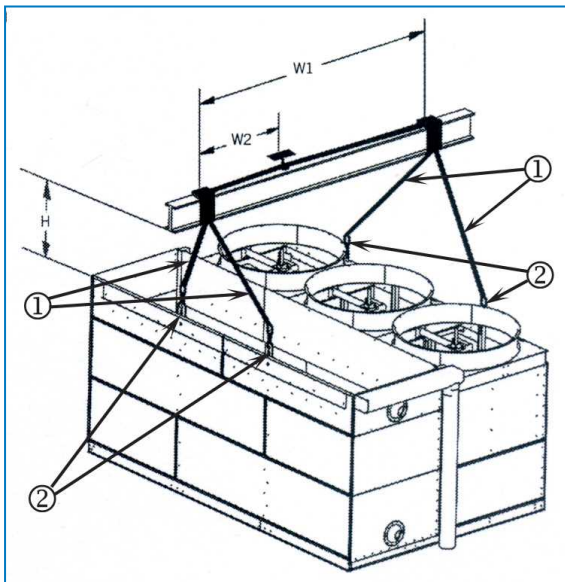
RIGGING METHOD A



- 1. Lifting cable
- 2. Lifting ear

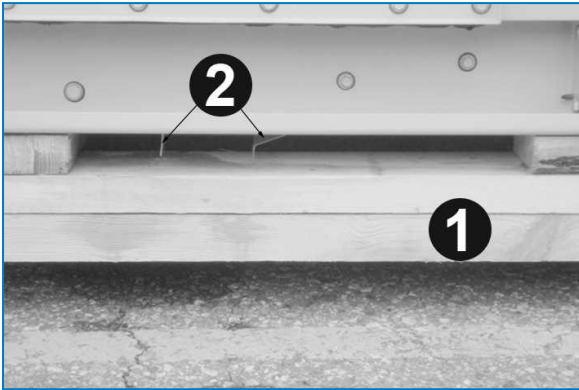
Rigging method for upper section

RIGGING METHOD B



- 1. Lifting cable
- 2. Lifting ear

The upper section is delivered on a special skid that makes sure the water-lock does not touch the ground level. To prevent damage, do not put the upper section on the ground once removed from the skid, but install directly on lower section.

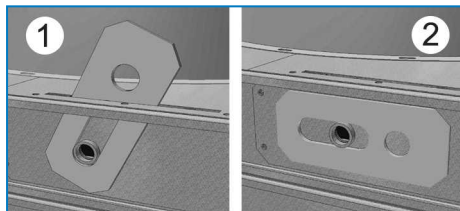


Water lock under upper section

1. Skid
2. Water-lock

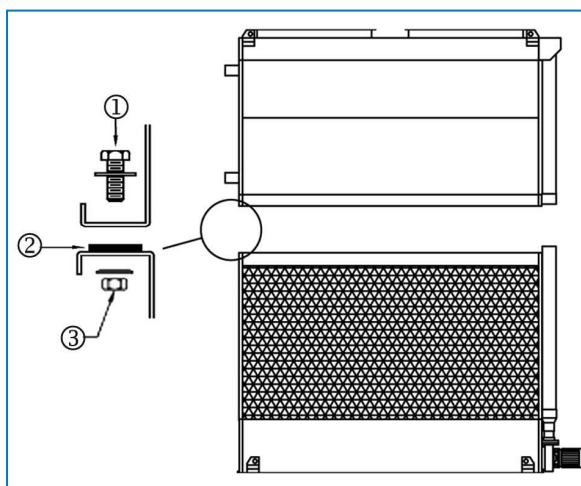
Method for two-piece cells

1. Position the lower section on the supporting steel and bolt in place.
2. Remove any protective wood from the top horizontal flanges of the lower section. Wipe down the flanges to remove dust, dirt or moisture that may have accumulated during shipment and storage.
3. After the lower section of the unit is in place, retract the lifting ears (where applicable) inside the unit to avoid interference when the upper section of the unit is positioned as illustrated in the following figure.



Lifting ears


1. Lifting ear in raised position
2. Lifting ear retracted
4. Install butyl sealer tape, supplied with the unit, on the mating flanges of the lower section in a continuous line over the centre line of the taper holes. At each corner, allow 2 to 3 cm overlap. Do not stretch sealer tape.
5. Sealer applied to the end flanges of a single cell section unit and to the end and centre flanges of two cell units must be continuous.

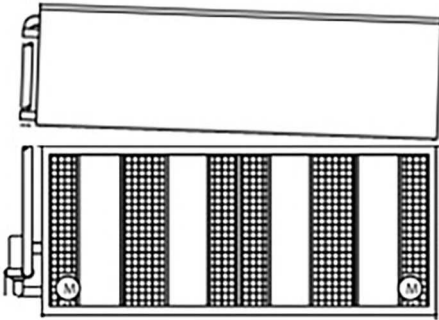


Installation of tape sealer

1. Bolt M10
2. Flat tape sealer laid over punch line wide side down around unit perimeter
3. Flatwasher, lockwasher and nut

When rigging the casing sections one might consider to hang the casing under a small angle (1-2°) in the crane. This way one short end can be positioned first and then the rest of the casing can be lowered slowly.

 Once the casing is put on the sealer tape, it can not be moved any more so gentle positioning is required.

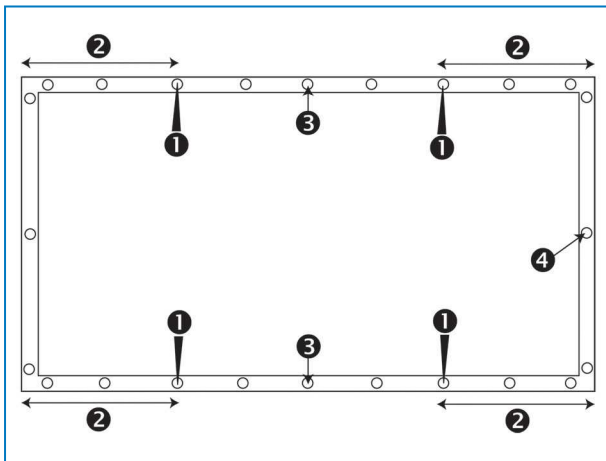


Position the casing at an angle.

6. Remove the skid from the middle section. Lift the middle section and position it over the lower section so that the flanges of the section are about 50 mm above the lower section. Do not let the section swing and damage the sealer.

Use at least four drift pins (see figure) in the fastening holes located on the long sides of the sections to align the top section to the bottom section. To avoid incorrect alignment, refer to the below drawing for the position of the fastening holes to be used. Use additional drift pins in the middle of the unit if required, to align long panels. (See figure "Usage of drift pin to align the screw holes")

Make sure all holes from upper section and lower section are properly aligned before lowering the top section completely to the bottom section.



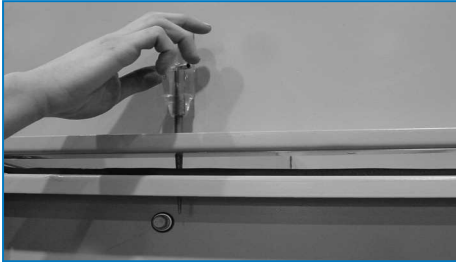
Position of the fastening holes to be used.

1. Drift pin position
2. The distance between the fastening hole in which the drift pin is inserted and the corner should be at least 30cm
3. Usage of additional drift pin for long sides
4. Fastening hole



CAUTION

When lowering a section, ensure nothing can be trapped between the upper and lower flanges.



Usage of drift pin to align the screw holes



CAUTION

Do not use outside of casing flange as a reference for the alignment of upper and lower section.

7. A sealing profile underneath the slot holes for the lifting ears has to be installed. The leak profile, butyl sealer tape and bolts & nuts can be found in the hardware box.
 - a) Apply butyl sealer tape over the holes of the extra sealing profile 16L065.



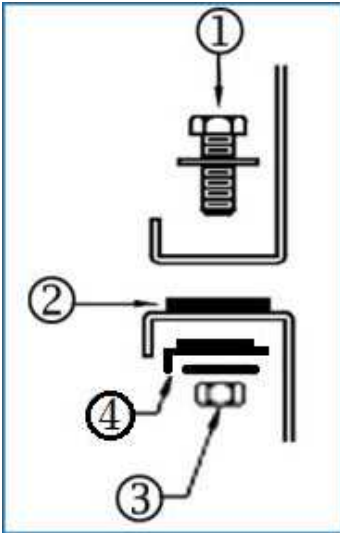
Sealing profile with butyl sealer

- b) This sealing profile must be installed underneath the slot-holes for the lifting ears with the flange facing the outside, to avoid any interference with the already installed tappers.



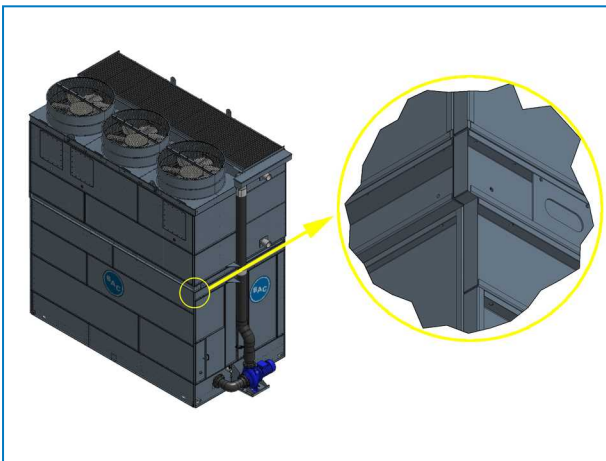
Installed sealing profile

- c) Install and fasten bolts & nuts according to the following drawing.



- 1) Bolt M10x40 mm with flatwasher
- 2) Butyl sealer tape
- 3) Nut M10 with lockwasher
- 4) Extra sealing profile 16L065 with butyl sealer tape

8. The flange of the upper casing exceeds the width of the lower casing at the opposite side of the air intake. This is applicable for all units except for models CXVE-xxx-1012-xxx and CXVE-xxx-1018-xxx .



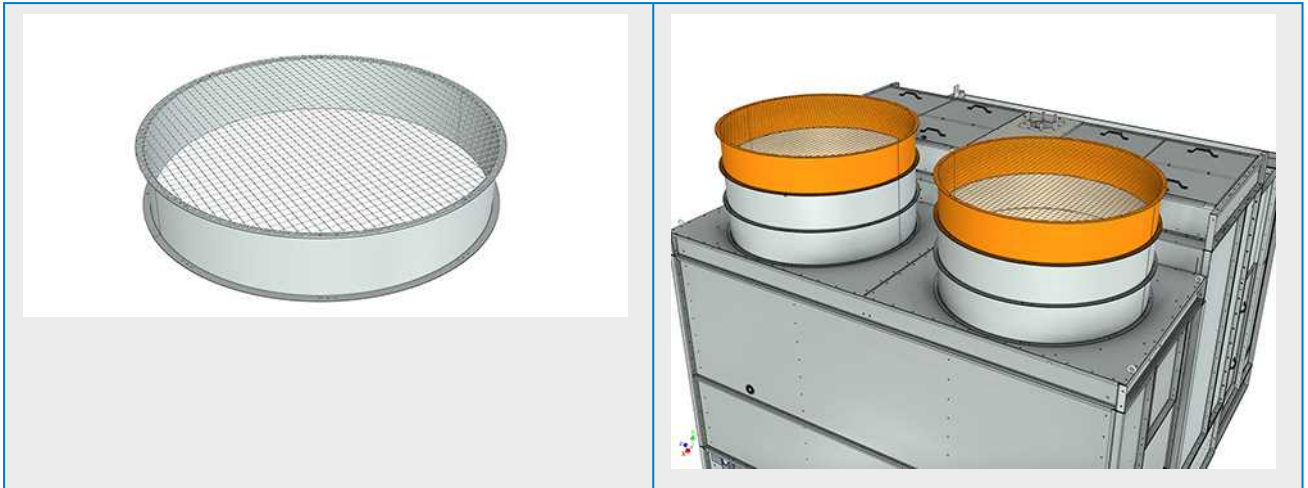
Detail flange upper section exceeds lower section

9. Using the bolts, drive bolts down through the upper section and into the lower section. Start next to lifting ear towards centre of unit. Continue to install the bolts using the drift pin to align the holes until all holes are filled with bolts.



Shipped loose fan cowl (if applicable)

1. Lift a single fan cowl with fan guard onto the factory installed fan cowls.



2. Align the hole pattern (use drift pins if required) and tighten with bolts and nuts.



4

CXVE OPTIONAL ACCESSORIES ASSEMBLY

General

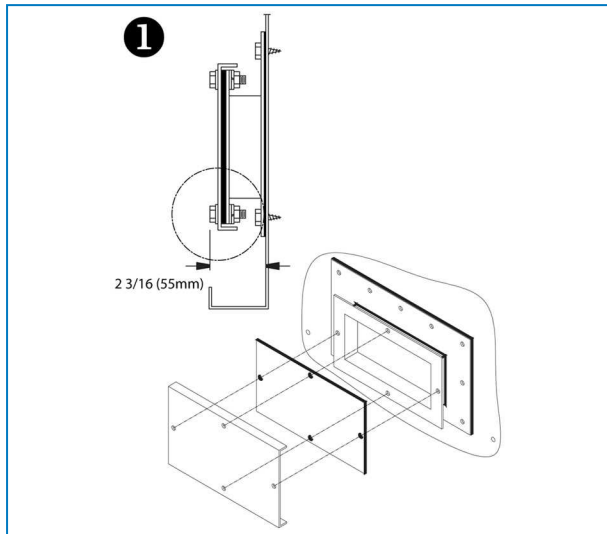
1. Optional discharge accessories such as tapered hoods, positive closure dampers, discharge sound attenuators, desuperheaters, plume abatement coils and/or access plenums can be fitted.
2. All required installation instructions for optional accessories are stored in the wooden no nail crate / plastic container which is placed in the lower section. See "Inspection Before Rigging" on page 1 - picture "Hardware Location".
3. Refer to the unit certified drawing for installation sequence of optional accessories.
4. Sealing methods are the same as for the upper section.
5. The platform, ladder and railing is packed on a separate skid. The assembly hardware is packed in a plastic container and strapped to the platform, ladder or railing itself.



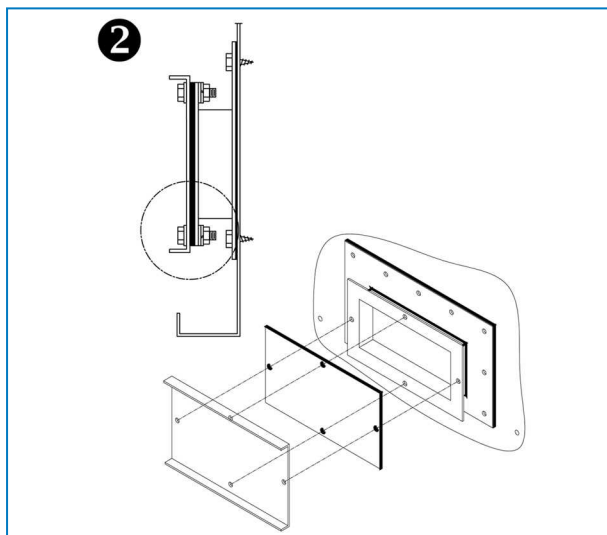
Hardware location for platform, ladder & railing

Clean out port

Due to transport width limits, the cover flanges of the clean out port are mounted with flanges towards the inside (1). On site, the cover can be placed with flanges to the outside for easy access to hardware (2).



Clean out port cover mounted for transport



Final installation of clean out port cover

Pump shipped loose

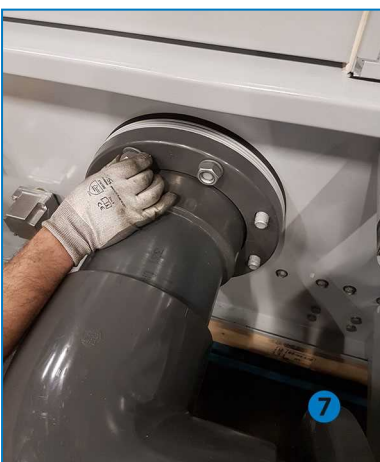
In some cases the pump, pump support and pump piping is shipped loose. Following are the instructions for installation. During transport all elements are stored in the pan section of the unit.



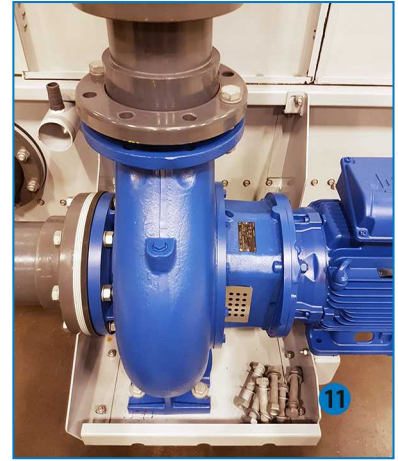
1. Remove pump and piping from pan section.
2. Install pump support (Right Hand drawing 15G117 – Left Hand drawing 15G119) against unit and put pump on it.
3. Leave pump bolts loose so pump can be moved on support to install piping. Also the support bolts can be slightly loose to allow movement.



4. To reach the bolts under the pump support, the unit must be installed at least 10 cm above ground level.
5. Install rubber gasket and metal distance rings on studs from water outlet connection.
6. Mount suction pipe and fix nuts.



7. Tighten nuts from opposing bolts first and then work further with opposite nuts to obtain even force distribution during flange assembly.
8. Put metal distance rings over suction pipe and keep in place with bolt and nut.
9. Make sure you insert the rubber gasket.



- 10. Do not put nuts yet to allow repositioning of the pump.
- 11. Take discharge pipe (you need 2 persons to carry it) and install it with the rubber gasket on the pump.
- 12. Fix piping using bolts and nuts.



- 13. Install pump piping support. Remove 3 tappers from the upper flange of the pan section and install the bracket. Use drawing 12D115 for the exact position to install the bracket.
- 14. Align lower pump piping with piping from upper section (if already installed).



- 15. Slip holes in bracket allow proper positioning and re-use of existing tappers.
- 16. Tighten all nuts and bolts from pump piping, pump support and pump feet.



CXVE

INSPECTION PRIOR TO START-UP

General

Prior to start-up, the following services, which are described in detail in the Operating and Maintenance Manual (see table "Recommended maintenance and monitoring programme") must be performed.

Proper start-up procedures and scheduled periodic maintenance will prolong the life of the equipment and ensure trouble-free performance for which the unit is designed.

The service expert for BAC equipment

We offer tailored services and solution for BAC cooling towers and equipment.

- Original spare parts and fill -for an efficient, safe and year round reliable operation.
- Service solutions - preventive maintenance, repairs, refurbishments, cleaning and disinfection for reliable trouble-free operation.
- Upgrades and new technologies - save up energy and improve maintenance by upgrading your system.
- Water treatment solutions - equipment for controlling corrosion scaling and proliferation of bacteria.

For more details, contact your local BAC representative for further information and specific assistance at www.BACservice.eu

More information

REFERENCE LITERATURE

- Eurovent 9-5 (6) Recommended Code of Practice to keep your Cooling System efficient and safe. Eurovent/Cecomaf, 2002, 30p.
- Guide des Bonnes Pratiques, Legionella et Tours Aéroréfrigérantes. Ministères de l'Emploi et de la Solidarité, Ministère de l'Economie des Finances et de l'Industrie, Ministère de l'Environnement, Juin 2001, 54p.
- Voorkom Legionellose. Ministerie van de Vlaamse Gemeenschap. December 2002, 77p.
- Legionnaires' Disease. The Control of Legionella Bacteria in Water Systems. Health & Safety Commission. 2000, 62p.
- Hygienische Anforderungen an raumluftechnische Anlagen. VDI 6022.

INTERESTING WEBSITES

Baltimore Aircoil Company	www.BaltimoreAircoil.com
BAC Service website	www.BACservice.eu
Eurovent	www.eurovent-certification.com
European Working Group on Legionella Infections (EWGLI)	EWGLI
ASHRAE	www.ashrae.org
Uniclîma	www.uniclîma.fr
Association des Ingénieurs et techniciens en Climatique, Ventilation et Froid	www.aicvf.org
Health and Safety Executive	www.hse.gov.uk

ORIGINAL DOCUMENTATION



This manual is originally made in English. Translations are provided for your convenience. In the event of discrepancies, the English original text shall prevail over the translation.



A series of horizontal dotted lines for writing, spanning the width of the page.



A series of horizontal dotted lines spanning the width of the page, providing a template for writing or data entry.





A series of horizontal dotted lines for writing, spanning the width of the page.



A series of horizontal dotted lines spanning the width of the page, providing a template for writing or drawing.





A series of horizontal dotted lines for writing, spanning the width of the page.

COOLING TOWERS

CLOSED CIRCUIT COOLING TOWERS

ICE THERMAL STORAGE

EVAPORATIVE CONDENSERS

HYBRID PRODUCTS

PARTS, EQUIPMENTS & SERVICES

BLUE by nature
GREEN at heart



www.BaltimoreAircoil.com

Europe@BaltimoreAircoil.com

Please refer to our website for local contact details.

Industriepark - Zone A, B-2220 Heist-op-den-Berg, Belgium

© Baltimore Aircoil International nv